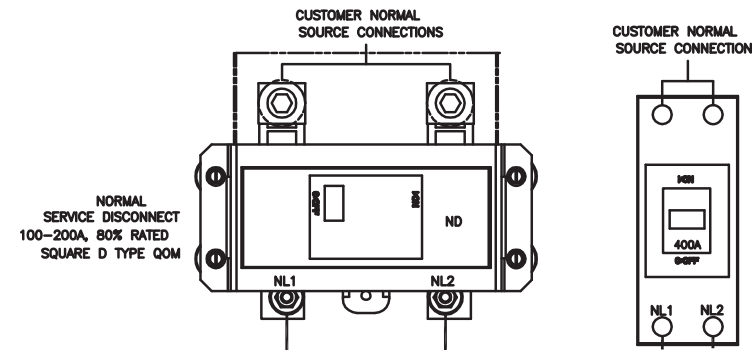
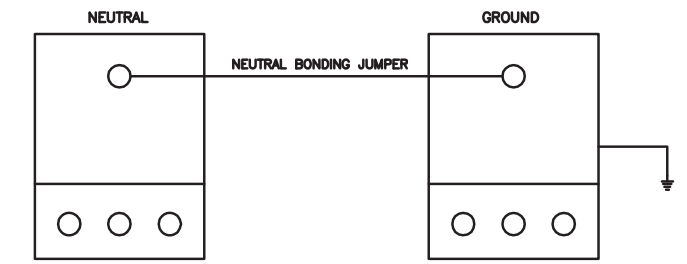
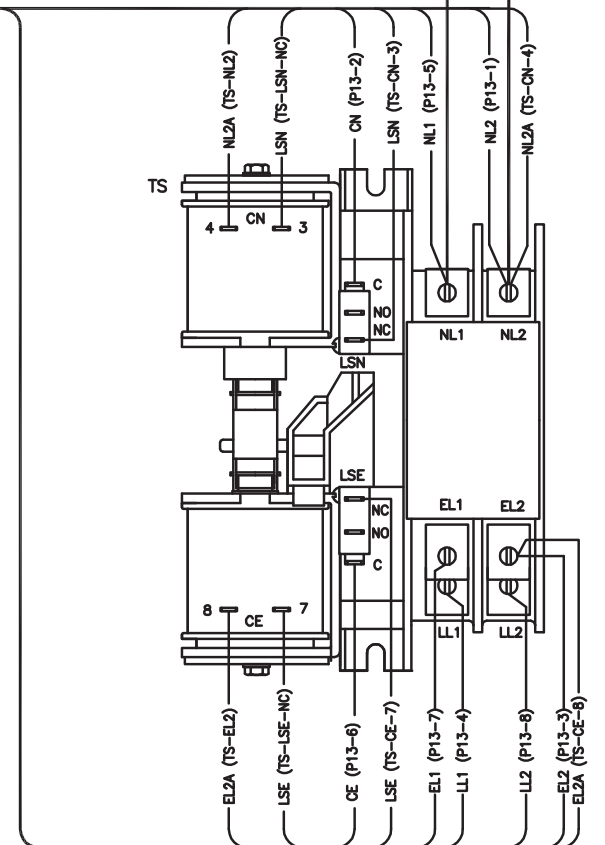
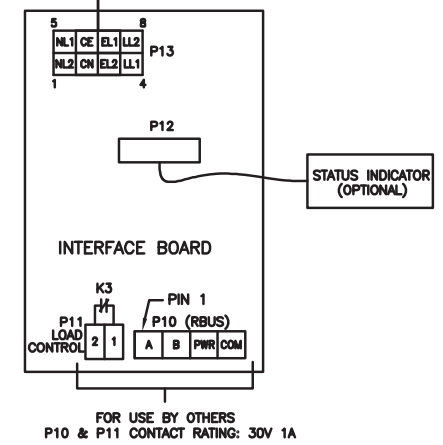


REV	DATE	REVISION	BY	APP
-	6-15-11	NEW DRAWING [80714-3]	CRS	



- LEGEND**
- CE - TRANSFER COIL (EMERGENCY)
  - CN - TRANSFER COIL (NORMAL)
  - LSN - POSITION SENSE SWITCH (NORMAL)
  - LSE - POSITION SENSE SWITCH (EMERGENCY)
  - P(#)- CONNECTOR
  - TS - TRANSFER SWITCH/CONTACTOR

- P13 CONNECTIONS**
- PIN #1 NL2 (TS-NL2)
  - 2 CN (TS-LSN-C)
  - 3 EL2 (TS-EL2)
  - 4 LL1 (TS-LL1)
  - 5 NL1 (TS-NL1)
  - 6 CE (TS-LSE-C)
  - 7 EL1 (TS-EL1)
  - 8 LL2 (TS-LL2)



MODEL RXT  
SERVICE ENTRANCE  
100-400A, 1Ø  
FOR SCHEMATIC SEE GM80666

<small>UNLESS OTHERWISE SPECIFIED: 1) DIMENSIONS ARE IN INCHES 2) TOLERANCES ARE: FRACTIONS ± .005 DECIMALS ± .005 DIMENSIONS IN PARENTHESES ARE FOR INFORMATION ONLY ALL DIMENSIONS UNLESS OTHERWISE SPECIFIED</small>		<b>KOHLER CO.</b> POWER SYSTEMS, SYDNEY, NY 13154 U.S.A. THIS DRAWING IS DESIGN AND BEING A KOHLER CO. PROPERTY AND MAY NOT BE REPRODUCED OR COPIED IN ANY MANNER WITHOUT THE WRITTEN PERMISSION OF KOHLER CO.	
APPROVALS	DATE	SCALE	DATE
CRS	6-15-11	100%	6-15-11
MTL	6-15-11	PLT	6-15-11
MTL	6-15-11	CHK	6-15-11

DIAGRAM, WIRING  
100-400A RXT 1Ø

GM80665